



CHOOSE YOUR RUGGEDNESS



GWM TANK 300

On-the-Road Price (Without Insurance):

RM 250,000.00*

GWM TANK 300 HEV

On-the-Road Price (Without Insurance):

RM 259,800.00*

LIFETIME WARRANTY**

FOR ENGINE AND TRANSMISSION

6 YEARS UNLIMITED MILEAGE WARRANTY

FOR VEHICLE AND HEV SYSTEM***

8 YEARS / 180,000KM POWER BATTERY WARRANTY***

5 YEARS FREE L2 VEHICLE TELEMATICS SERVICE***

5 YEARS FREE MAINTENANCE

INCLUSIVE OF LABOUR AND PARTS

GWM OWNERS LOYALTY OFFER REBATE **RM 3,000**

*Price is valid in Peninsular Malaysia, EXCEPT LANGKAWI.

**Exclusive for first-hand private owner.

***Only for HEV variant.

RM500 registration fee for Company Private applies.

Terms and conditions apply.

RUGGEDNESS AND CAPABILITY OF A REAL 4X4

ICE VARIANT

2.0T + 8AT | PART TIME 4WD



Max. Power
162kW / 220PS

Max. Torque
380Nm

HEV VARIANT

2.0T + 9HAT | ON-DEMAND 4WD



Max. Combined Power
255kW / 346PS

Max. Combined Torque
648Nm

BUILT FOR HARDCORE OFF-ROAD PERFORMANCE

The chassis features 99% high-strength steel, a longitudinal beam cross-section of up to 160x130 mm, and torsional rigidity of 284.5 kN-m/rad, ensuring outstanding structural strength and driving stability for all terrains.



TANK TURN ASSIST



CRAWL CONTROL MODE
66% Maximum Climbing Degree



700mm MAX. WADING DEPTH



ALL-TERRAIN PROGRESS CONTROL (ATPC) SYSTEM

- ICE (9 Driving Modes)
- HEV (7 Driving Modes)

OFF-ROAD ANGLES

DEPARTURE ANGLE



23°
RAMP ANGLE



33°

APPROACH ANGLE



RUGGED OUTSIDE, REFINED INSIDE



APPLE CARPLAY® AND ANDROID AUTO™ CONNECTIVITY



9-SPEAKER INFINITY SOUND SYSTEM



VENTILATED NAPPA LEATHER SEATS WITH MASSAGE
(Massage for Driver Seat Only)



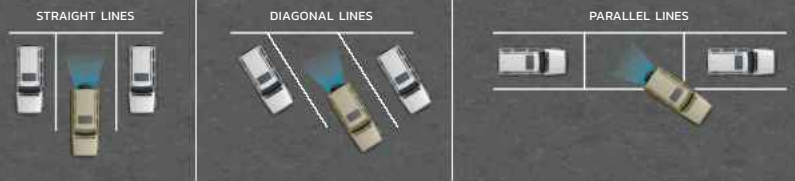
60:40 FOLDABLE SEATS

SMART FEATURES (HEV EXCLUSIVE)



INTELLIGENT APP CONNECTIVITY

3 TYPES OF INTEGRATION INTELLIGENT PARKING (IIP)



FULLY AUTOMATIC PARKING ASSIST

SMARTPHONE CONNECTIVITY

Enjoy our GWM Intelligent Application that delivers seamless convenience to your everyday life.



DOORS AND WINDOWS STATUS
Doors And Windows Status, Doors And Windows Reminder, Lock And Unlock Doors, Close Windows



LOW 12V BATTERY REMINDER



E-FENCE AND VEHICLE LOCATION



LOW FUEL LEVEL REMINDER



SUNROOF STATUS



SEAT VENTILATION STATUS
Turn On/Off Seat Ventilation



TYRE TEMPERATURE AND TYRE PRESSURE STATUS



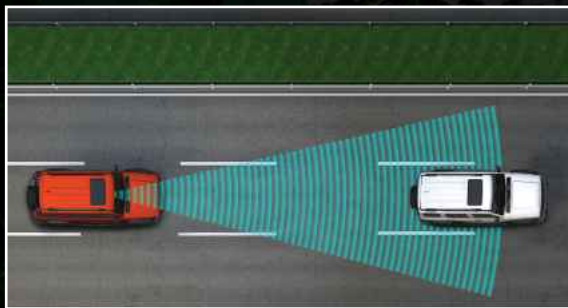
CLOSE SUNROOF



AIR CONDITIONING STATUS
Turn On/Off Air Conditioning

ALL-ROUND PROTECTION CONFIDENCE IN EVERY JOURNEY

1,500 MPa
ULTRA-HIGH STRENGTH BODY



LEVEL 2 ADVANCED DRIVING ASSISTANCE SYSTEMS (ADAS)

Comprehensive safety technology safeguarding you and your passengers.

- ACC – Adaptive Cruise Control
- TJA – Traffic Jam Assist
- FCW – Front Collision Warning
- LDW – Lane Departure Warning
- LKA – Lane Keeping Assist
- LCK – Lane Centre Keeping
- ELK – Emergency Lane Keeping

- AEB – Autonomous Emergency Braking
+ Junction Assist
- LCA – Lane Change Assistance
- RCW – Rear Collision Warning
- RCTA – Rear Cross Traffic Alert
- RCTB – Rear Cross Traffic Braking
- HDC – Hill Descent Control

COLOUR



Dusk Orange
(ICE Exclusive)



Sand Beige
(HEV Exclusive)



Crystal Black



Pearl White

WHEEL



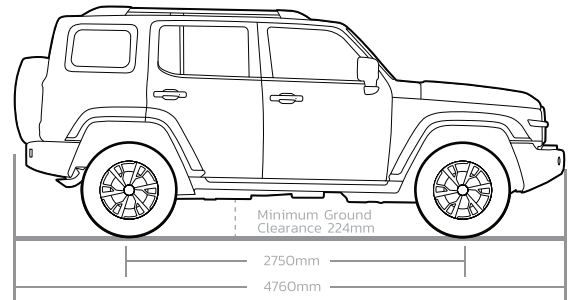
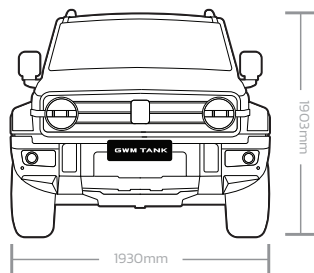
18" Dual-tone Alloy Wheel
Highway Terrain Tyre
(ICE Exclusive)



17" Black Alloy Wheel
All-Terrain Tyre
(HEV Exclusive)



Interior Colour: Black



For More Information:



GWM Malaysia



gwm.com.my



Customer Service Hotline
1800 18 2882

(Monday – Friday, 8:30am – 5:30pm. Closed on weekends and public holidays.)



Email
support@gwm.com.my

Notice

The specifications, product information or images displayed herein are for illustration purposes. Some of the product and service information, illustrations and images contained herein may have been prepared for generic use and the actual products may vary from those displayed herein, owing to technical limitations.

The illustrations may show accessories, optional equipment or other features which are not part of the standard specification or service scope available in Malaysia. The company reserves the right to change all information, specifications, and grades without prior notice. For safety and efficiency in use, please refer to the manual before use. The company shall not be responsible for discrepancies or differences between the illustrations displayed in this Specification & Standard Equipment and the actual product.